

Technical data sheet

Product features



Tilting bratt pan gas

Model	SAP Code	00020317
--------------	-----------------	----------



- Bottom material: Stainless steel - suitable for cooking, easy maintenance
- Bottom thickness: 12.00
- Basin volume [l]: 50
- Usable volume [l]: 50
- Ignition: Piezo
- Tilting: Motorised
- Filling: Mechanical cock
- Type of pan: Tilting
- Basin shape: Practically shaped bathtub spout to minimize spillage
- Protection of controls: IP24
- Service accessibility: Trough the frontal panel

SAP Code	00020317	Type of gas	Natural gas, propane butane
Net Width [mm]	800	Bottom material	Stainless steel - suitable for cooking, easy maintenance
Net Depth [mm]	730	Basin volume [l]	50
Net Height [mm]	900	Usable volume [l]	50
Net Weight [kg]	163.40	Tilting	Motorised
Power gas [kW]	12.000		

Technical data sheet

Technical drawing

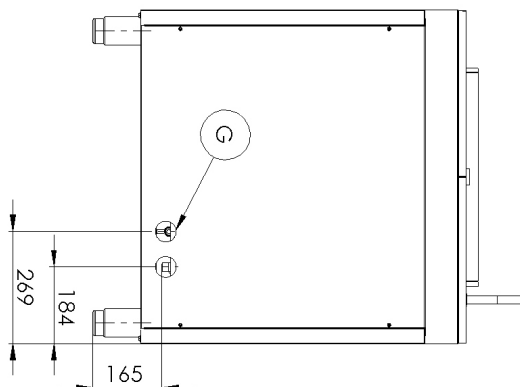
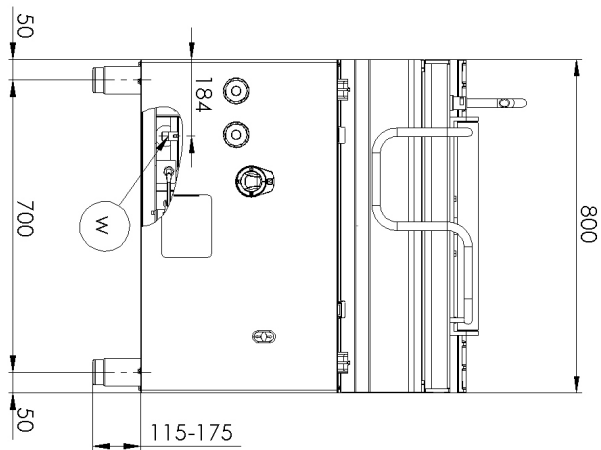
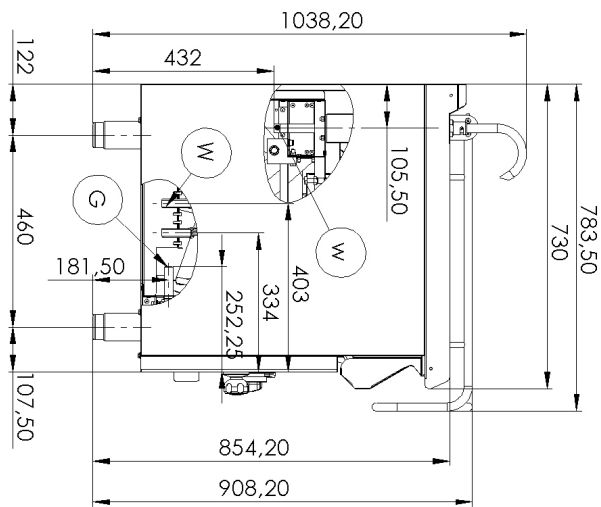


Tilting bratt pan gas

Model

SAP Code

00020317



Technical data sheet

Technical parameters



Tilting bratt pan gas

Model

SAP Code

00020317

1. SAP Code:

00020317

2. Net Width [mm]:

800

3. Net Depth [mm]:

730

4. Net Height [mm]:

900

5. Net Weight [kg]:

163.40

6. Gross Width [mm]:

840

7. Gross depth [mm]:

800

8. Gross Height [mm]:

1080

9. Gross Weight [kg]:

173.50

10. Device type:

Gas unit

11. Construction type of device:

Stationary

12. Power gas [kW]:

12.000

13. Ignition:

Piezo

14. Type of gas:

Natural gas, propane butane

15. Protection of controls:

IP24

16. Exterior color of the device:

Stainless steel

17. Material:

AISI 304 top plate and cladding

18. Worktop type:

Molded - comfortable cleaning maintenance

19. Worktop material:

AISI 304

20. Surface finish:

polished stainless steel

21. Basin volume [l]:

50

22. Volume capacity of the container [l]:

50.00

23. Maximum device temperature [°C]:

300

24. Minimum device temperature [°C]:

50

25. Service accessibility:

Trough the frontal panel

26. Safety thermocouple:

Yes

27. Adjustable feet:

Yes

28. Tilting:

Motorised

Technical data sheet

Technical parameters



Tilting bratt pan gas

Model

SAP Code

00020317

29. Bottom thickness:

12.00

30. Bottom material:

Stainless steel - suitable for cooking, easy maintenance

31. Type of pan:

Tilting

32. Usable volume [l]:

50

33. Filling:

Mechanical cock

34. Basin shape:

Practically shaped bathtub spout to minimize spillage

35. Water filling type:

Both cold and warm